

WiseCable™ Stainless Steel Cable Rail

Adjustable body with threaded eye and lag eye



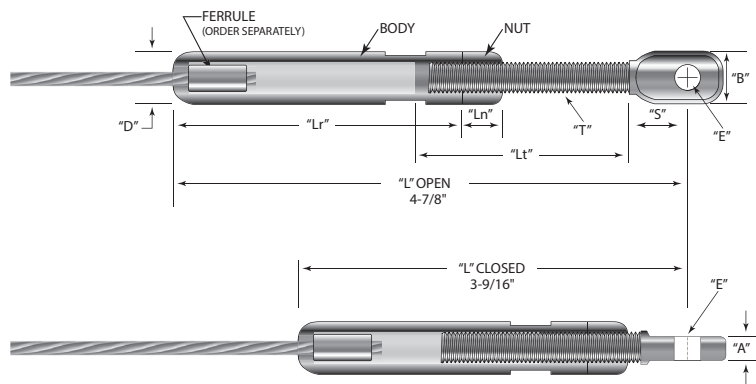
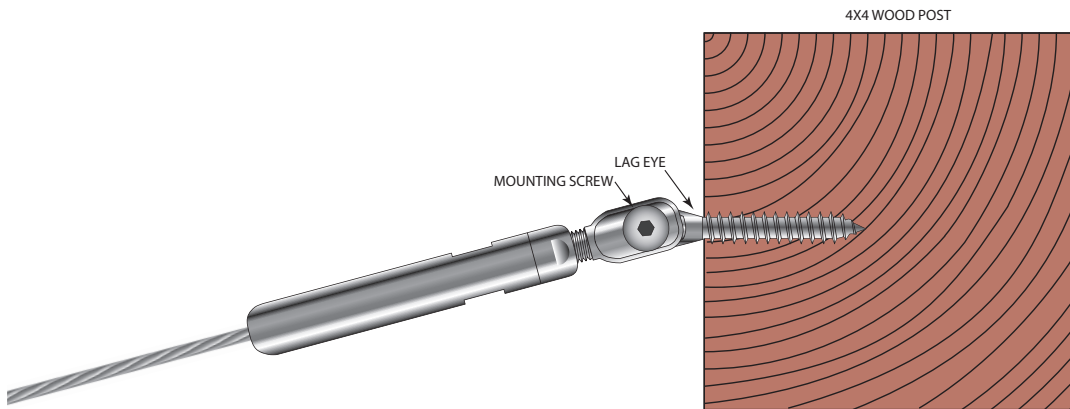
The adjustable body with threaded eye is a swaged, tensioning, face-of-the-post-mounted fitting that can be used on level or pitched runs. This fitting is available for 1/8" diameter 1x19 stainless steel cable.

The adjustable body with threaded eye can be used with any fitting on the opposite end of the run. This fitting attaches to the wood end post by installing a lag eye into a pre-drilled hole in the end post and attaching the threaded eye portion of the fitting to the lag eye with a button head screw. The cable is retained within the body portion of the fitting by a ferrule swaged onto the end of the cable. The lock nut is installed all the way onto the threaded eye first, followed by the body,

which is secured onto the eye, creating tension on the cable. Once sufficient tension is achieved, the lock nut is secured against the end of the body to prevent the fitting from loosening.

While this fitting can be used on pitched or level runs, it is most appropriate for pitched runs because the threaded eye portion of the fitting pivots at the lag eye. The pre-drilled hole for the lag eye is drilled level, making installation easy.

Use of this fitting requires an appropriately sized ferrule that is swaged onto the cable, which must also be purchased separately.



TYPE 316 STAINLESS STEEL

CABLE DIA.	PART NO.	USE WITH SCREW NO.	USE WITH LAG EYE NO.	"E" THREAD	"A"	"B"	"S"	"T" THREAD	"Lt"	"Ln"	"Lr"	"D" DIA.
1/8"	LEGACY LSS	SC-6	LE-6	1/4-28	.233" / .229"	.500"	.44"	5/16-24 LH	2.00"	.375"	2.75"	.490"